

Male N	Female BNC
Female HN	Male BNC
Male HN	Female LC
Female C	Male LC
Male C	Female LT
Female UHF	Male LT
Male UHF	Female TNC
7/8" EIA Air Line	Male TNC

These may be purchased from Bird Electronic Corp., as required. See Section 6, Parts List.

The above connectors are quickly changed by removing the four #8-32 round head machine screws from the corners of the connector flange, and pull straight out. Reverse this procedure to attach connector, making sure the center contact pin aligns properly with the socket.

3. REMOTE INSTALLATION

The RF line section can be removed from the meter housing for remote installation. To remove the line section from its housing:

- a. Unscrew the six #8-32 flat head machine screws holding the back cover.
- b. Grasp the cover by the side filler tabs and pull directly backwards. The back cover assembly will come off with the speed nuts remaining attached.
- c. Remove the two #10-32 oval head machine screws on the front of the housing.
- d. Slide the line section backwards out of the housing. Do not loosen the two oval head screws on the sides of the housing in line with the meter. These hold the meter supporting shock ring in place.
- e. Substitute the cable which attaches the line section to the meter with a sufficient length of cable to make the remote installation.
- f. To replace the RF line section, reverse the above procedure.

It may be desirable to have two or more line sections permanently installed in continuous operating equipment. In this case, one set of Elements and one meter may be used to measure several RF transmission lines WITHOUT INTERRUPTION OF RF LINES for insertion of the THRULINE. Additional RF line sections (Figure 3-2) are available.

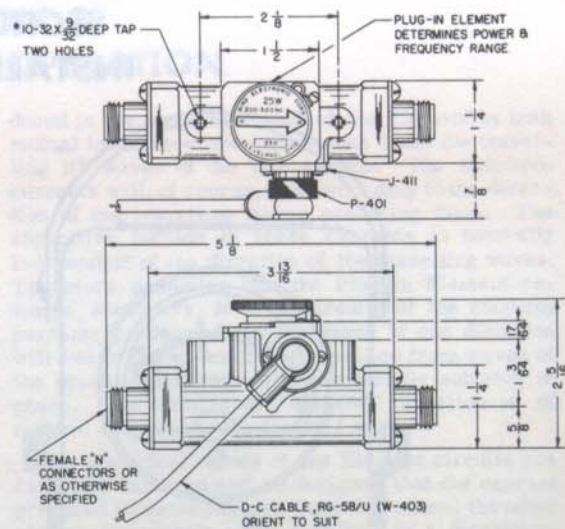


Fig. 3-2. Installation Drawing, RF Line Section

The RF Line Section of the Model 43 blends very readily to panel type mounting. A layout for the panel mount cut is given in Figure 3-3. The thickness of the panel should be about 1/4 inch. On panels less than this, build up the thickness with pads or washers to achieve a flush-face mounting. Cable connections are simplified because the RF line section may be mounted in any convenient direction. Attach the line section so that the finger catch is in the most accessible position.

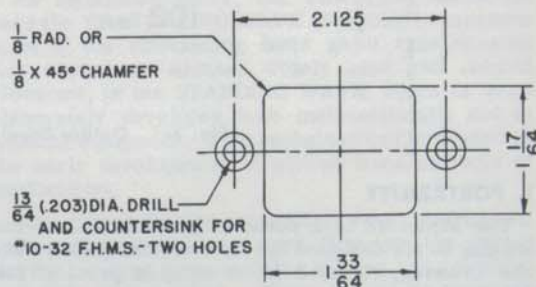


Fig. 3-3. Panel Cut for Mounting RF Body